

## MAGNET INDUCTORS

These inductors consist of powerful Ticonal permanent magnets encased in polyester resin for chemical and mechanical protection. These alloy magnets maintain their high magnetic properties over a long period of time

Working Temperature: -20° to +90°C

Magnetization Loss 0.02% per °C

Coding – SI-3107 North Polarity – ‘N’ or Orange  
 South Polarity – ‘S’ or Blue

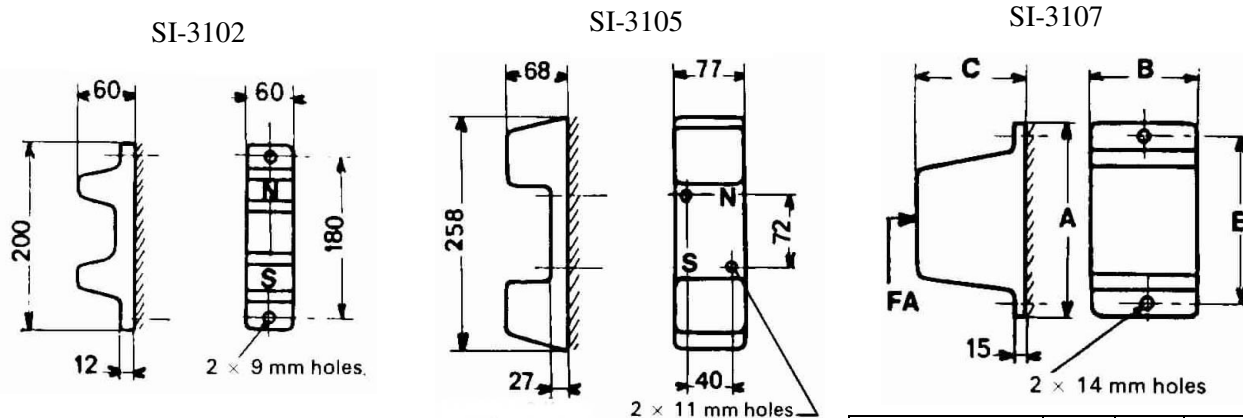
Packing Inductors 3102 and 3105 are fitted with a steel shunt to prevent demagnetization in cases where they may be placed side-by-side with polarities matched. The shunt should be removed before use.

Note: Never place inductors with like poles facing each other

Permanent Magnet Inductors may be used with Magnetic Switches as shown in the following table

Model	Max. Operating Distance	Magnetic Switch
SI-3102	60mm	SI-3009-PS Two Position SI-3009-RA Automatic Reset SI-3002-PS Two Position SI-3002-RA Automatic Reset
SI-3107-A36	60mm	SI-3009-PS Two Position SI-3002-PS Two Position
SI-3107-A50	110mm	SI-3009-PS Two Position SI-3002-PS Two Position
SI-3105	180mm	SI-3009-PS Two Position SI-3009-RA Automatic Reset SI-3002-PS Two Position SI-3002-RA Automatic Reset

### Dimensions:



	A	B	C	E
SI-3107-A36	150	80	70	110
SI-3107-A50	190	105	105	145