

SPECIFICATIONS SI-3009 MAGNETIC SWITCH

SI-3009-PS: Two permanent positions
SI-3009-RA: Automatic Reset
SI-3009-PSI: Waterproof Enclosure

- Rugged light alloy casting coated with Rilsan
- Sealed case against dust and water
- Mechanism is completely encapsulated
- Temperature limits: -20° to 70°C

Electrical Contacts:

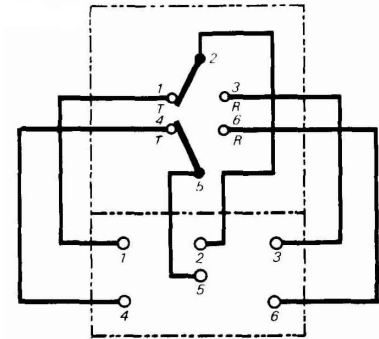
2 Changeover contacts, silver-gold 900/1000
Ratings: 2.5 Amps at 240VAC
0.5 Amps at 110VDC

Contacts may be connected in series to switch 240VDC
Connecting the contacts in parallel enables a current of 4 Amps AC to be interrupted

Electrical Connections:

Terminal clamping area: 2mm²

In the case of Automatic Reset type Magnetic Switches, the 'R' contacts are closed in the presence of an inductor. The two contacts are shifted simultaneously



Operating Distance:

Inductor	Maximum Operating Distance
SI-3102	60mm
SI-3107-A36	60mm

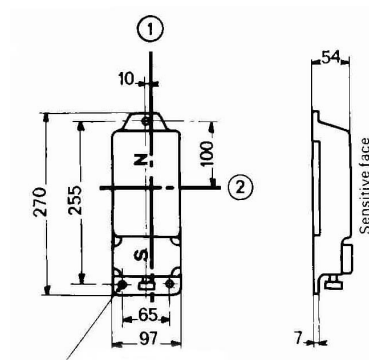
Notes:

1. In practice, actual operating distances are 15% less than the figures quoted above.
2. If the speed of the Inductor exceeds 6 meters/second, the operating distances must be reduced in accordance with the following table:

Speed of Travel	Reducing Coefficient
7 – 14 m/sec.	0.9
15 – 25 m/sec	0.8

Dimensions (in mm)

SI3009-PS/RA



SI-3009-PSI

