

## SPECIFICATIONS: SI-3002 MAGNETIC SWITCH

SI-3002-PS: Two permanent positions  
SI-3002-RA: Automatic Reset  
SI-3002-PSI: Waterproof Enclosure

- Rugged light alloy casting coated with Rilsan
- Sealed case against dust and water
- Mechanism is completely encapsulated
- Temperature limits: -20° to 70°C

### Electrical Contacts:

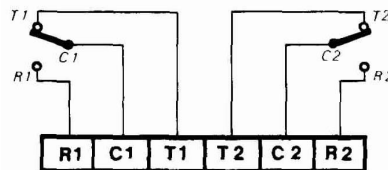
2 Changeover contacts, silver-gold 900/1000

Ratings: 2.5 Amps at 240VAC  
0.5 Amps at 110VDC

Contacts may be connected in series to switch 240VDC

Connecting the contacts in parallel enables a current of 4 Amps AC to be interrupted

### Electrical Connections:



Terminal clamping area: 3mm<sup>2</sup>

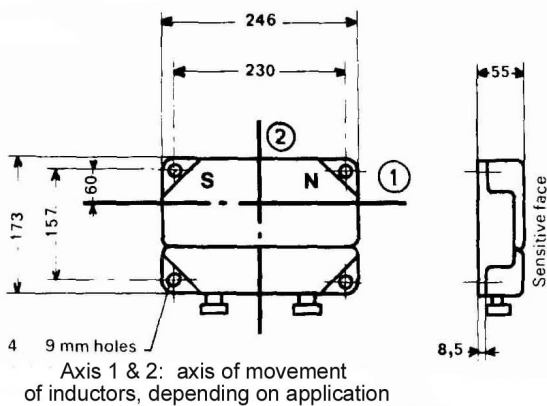
In the case of Automatic Reset type Magnetic Switches SI-3002-RA, the 'R' contacts are closed in the presence of an inductor. The two contacts are shifted simultaneously

### Operating Distance:

Inductor	Max. Operating Distance
SI-3105	180mm
SI-3107-A50	110mm
SI-3107-A36	60mm

### Dimensions:

#### SI-3002-PS / RA



Dimensions in mm

#### SI-3002-PSI

