

Thickness Measurement of Slab or Plate

Problem:

To accurately measure the thickness of slab or plate

Solution:

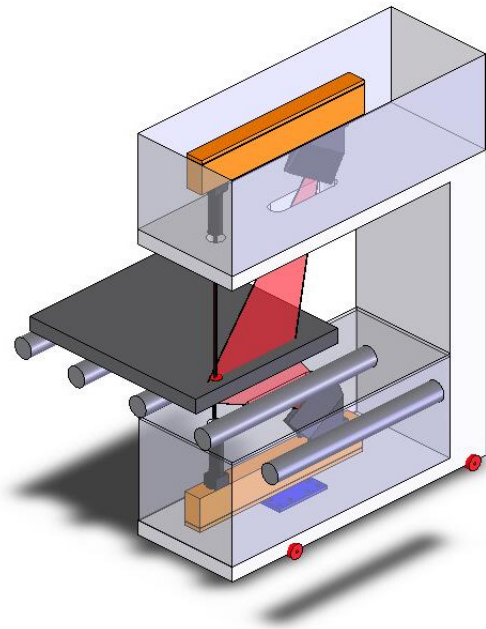
Use triangulation laser meters to measure the top and bottom surfaces of the material.

Equipment:

- Two LM-500-LR7 triangulation laser meters mounted in a 'C' frame
-

Features:

- Non contact
- Accuracy to 0.21mm
- Safety
- Easy installation and maintenance



Locations:

Slab Casters, Reheat Furnaces, Entry Roller
Tables, Plate Mills